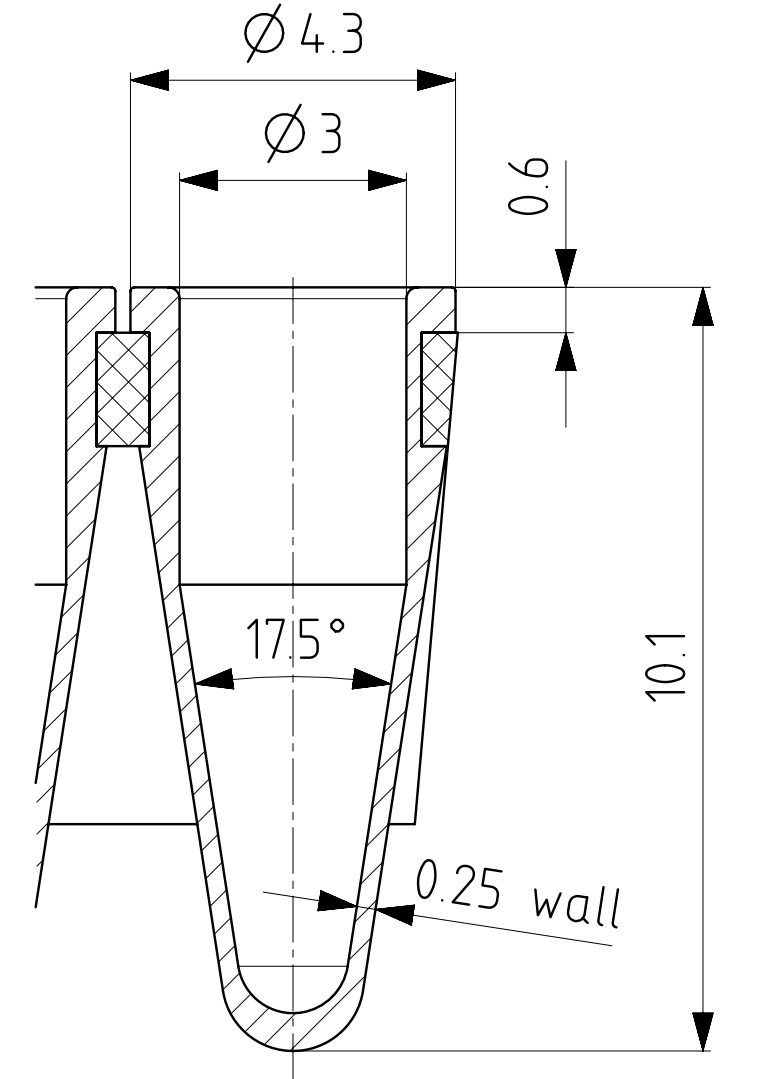
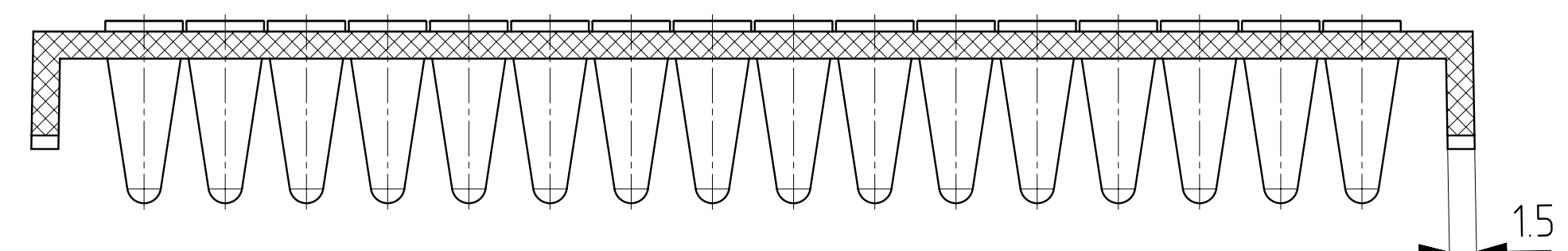


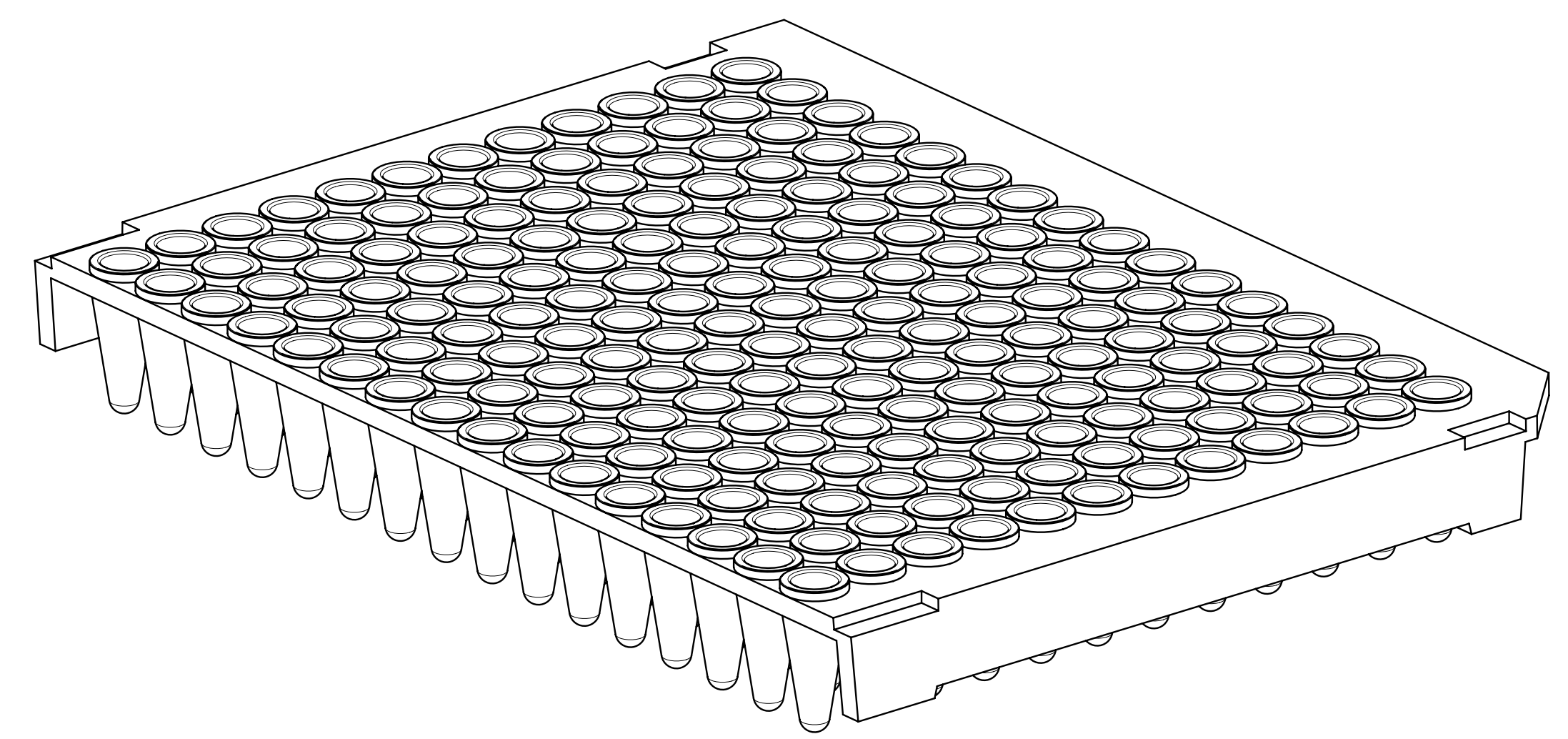
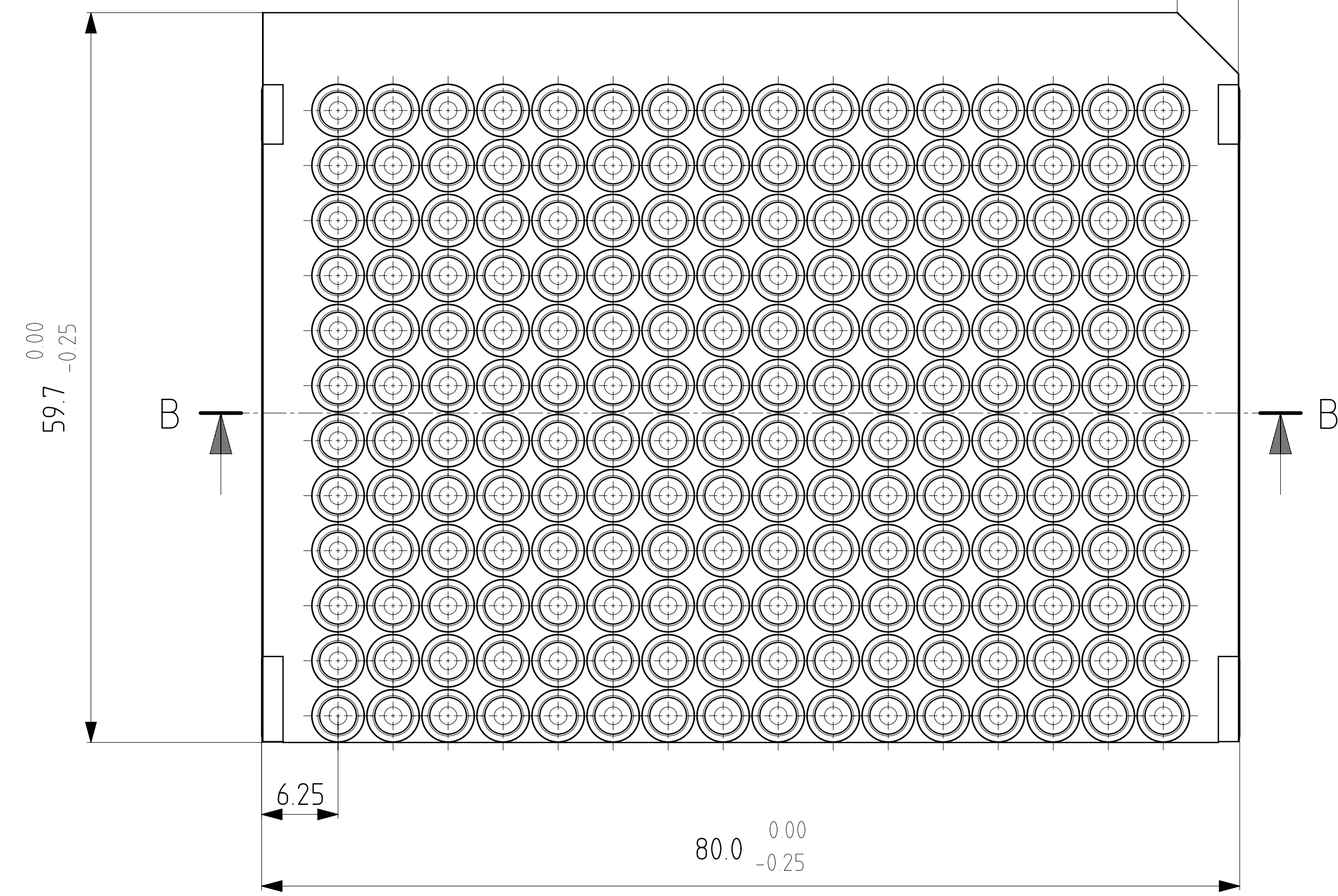
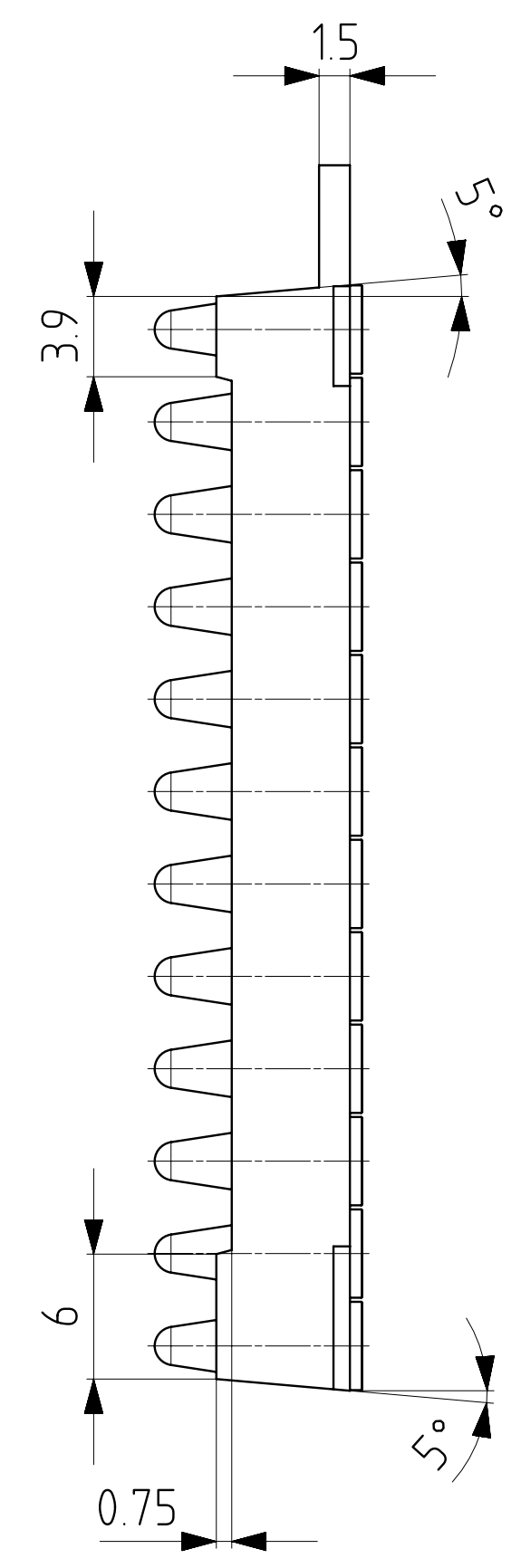
SECTION A-A



DETAIL C
SCALE 10:1



SECTION B-B



The undimensioned values by 3D model!

ISSUE	DATE	AMENDMENT



www.4ti.co.uk

 DO NOT SCALE IF IN DOUBT ASK	CUSTOMER	DRAWN	ZE	TITLE
	CUSTOMER DRG No.	ISSUE	DATE	01.12.2015
	MATERIAL	Frame: Polycarbonate, Tubes: Polypropylene	CHECKED & SIGNATURE	JB
	TOLERANCES	0 ±0.10 0.0 ±0.05 0.00 ±0.02 ANGULAR ±0°30' (ALL DIMENSIONS IN MILLIMETRES)	DATE	DRAWING No. 4ti-0192/C
	GENERAL TOLERANCES (UNLESS OTHERWISE STATED)		SCALE	SHEET No.
				ISSUE E