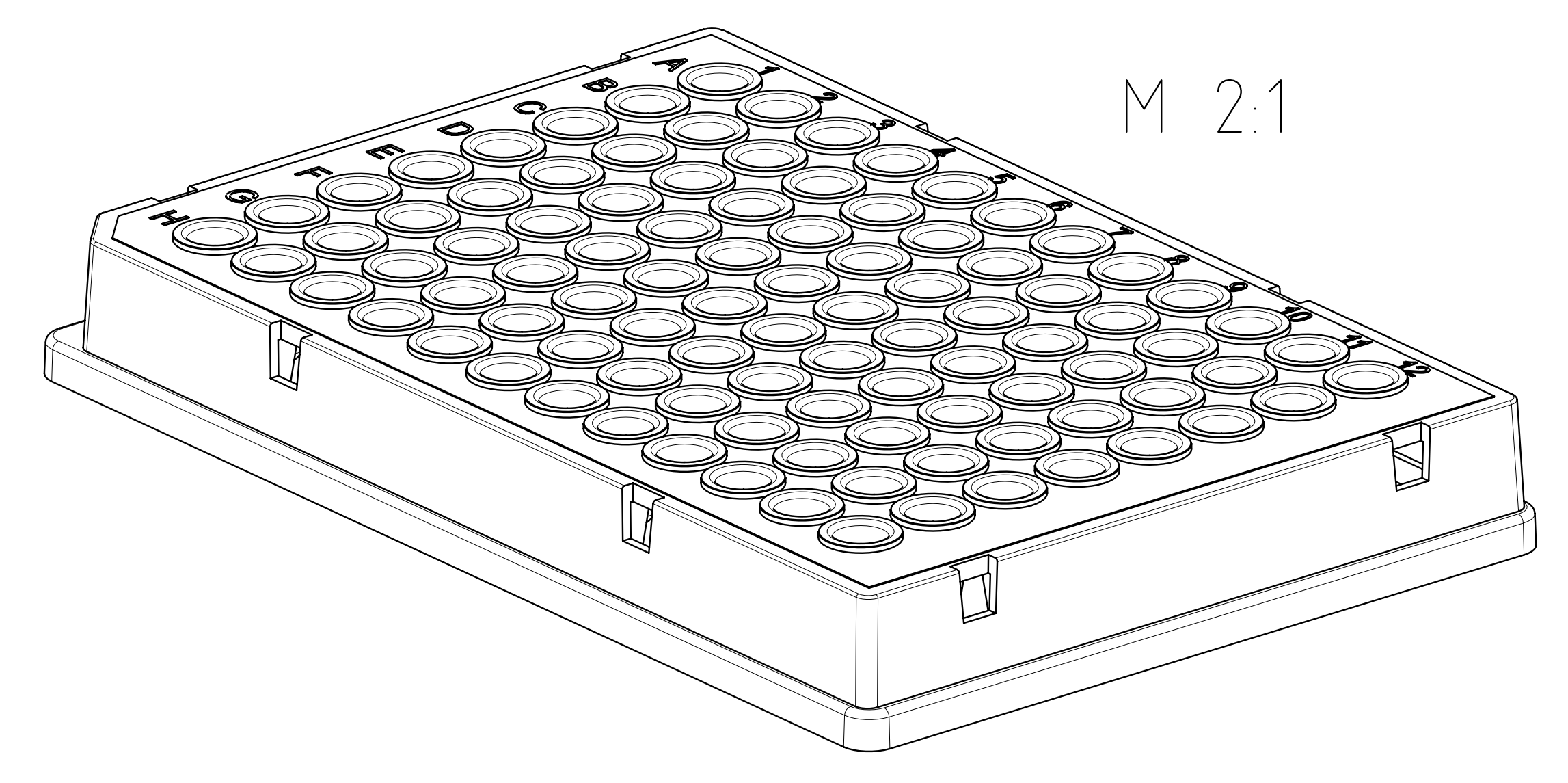
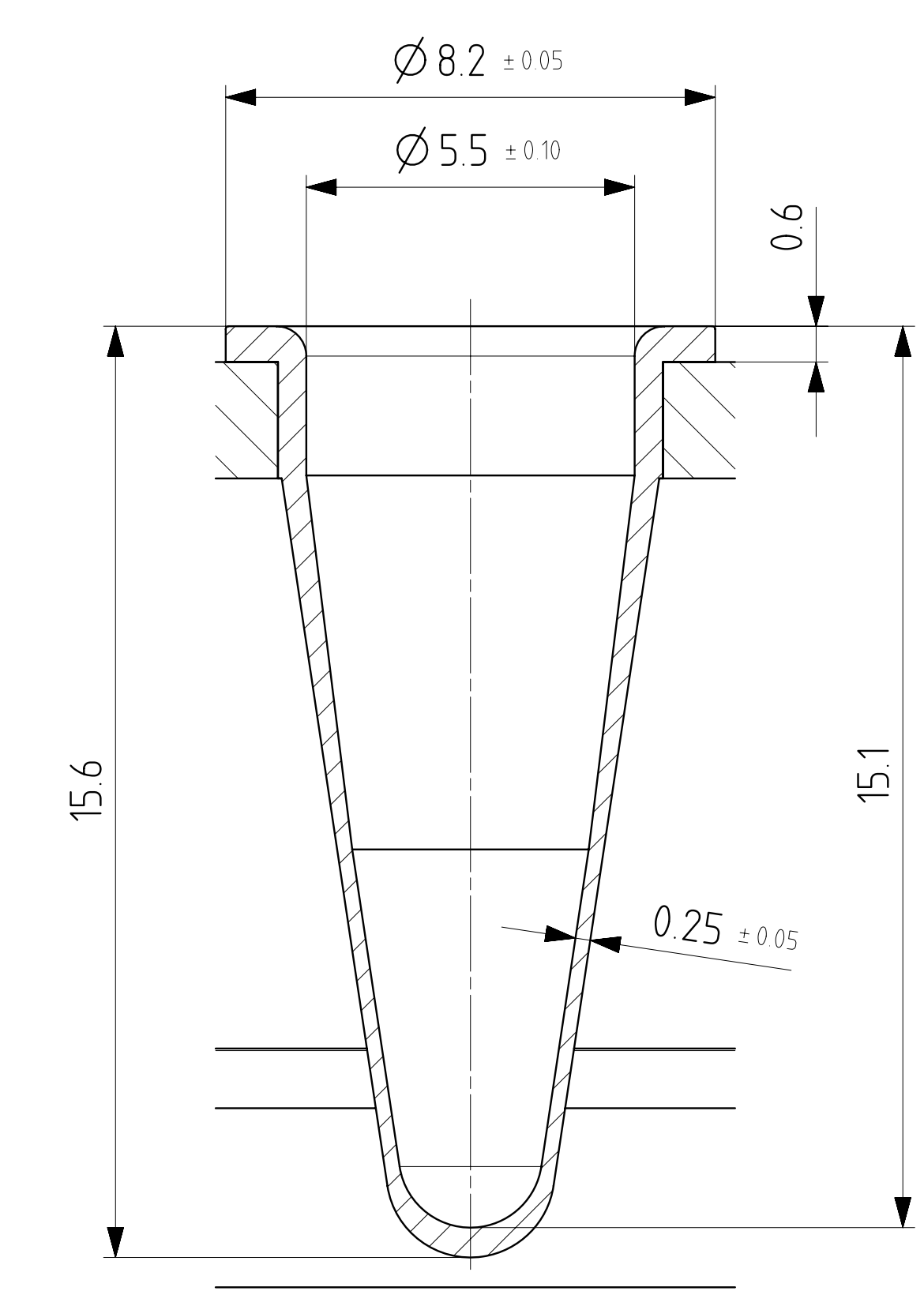
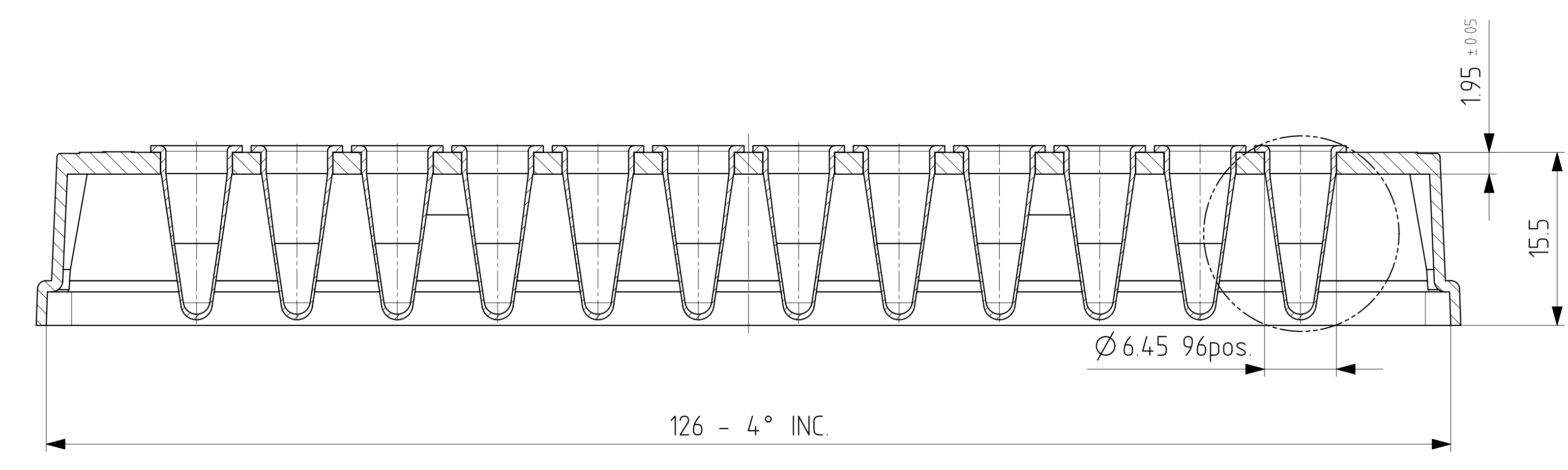
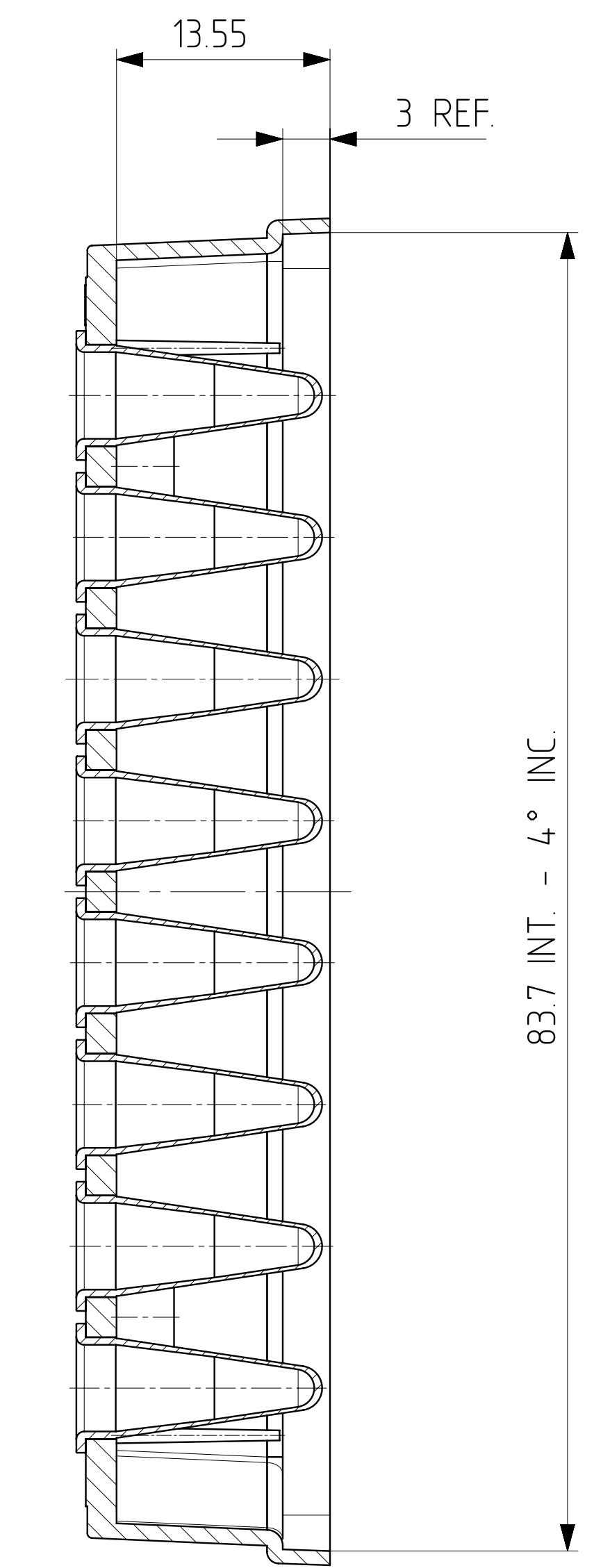
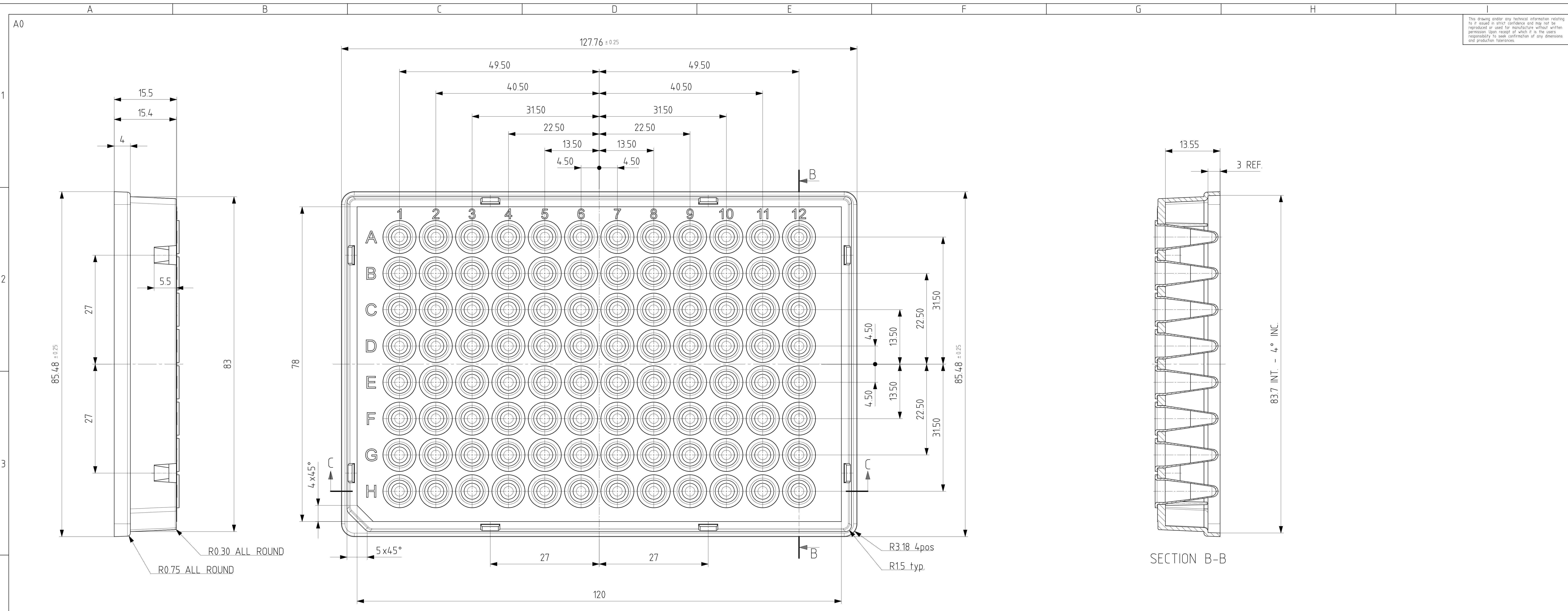


This drawing and/or any technical information relating to it issued in strict confidence and may not be reproduced or used for manufacture without written permission. Sign recall of which it is the users responsibility to seek confirmation of any dimensions and production tolerances.



ISSUE	DATE	AMENDMENT	ISSUE	DATE	AMENDMENT
A	17.05.2017	Original drawing			



DO NOT SCALE
IF IN DOUBT ASK

CUSTOMER	CUSTOMER DRG. No.	ISSUE	DATE
MATERIAL		CHECKED	PD
TOLERANCES		DATE	
GENERAL TOLERANCES (UNLESS OTHERWISE STATED)		SCALE	

DRAWN	ZE	TITLE
CHECKED	PD	Random Access frame with tubes Marketing drawing
DATE	17.05.2017	DRAWING No. 4ti-0960/RA
SHEET No.	1 OF 1	ISSUE A